

DR. 0.8

EQUIP. TYPE: *RJ50A/HRR* EXP. NO.

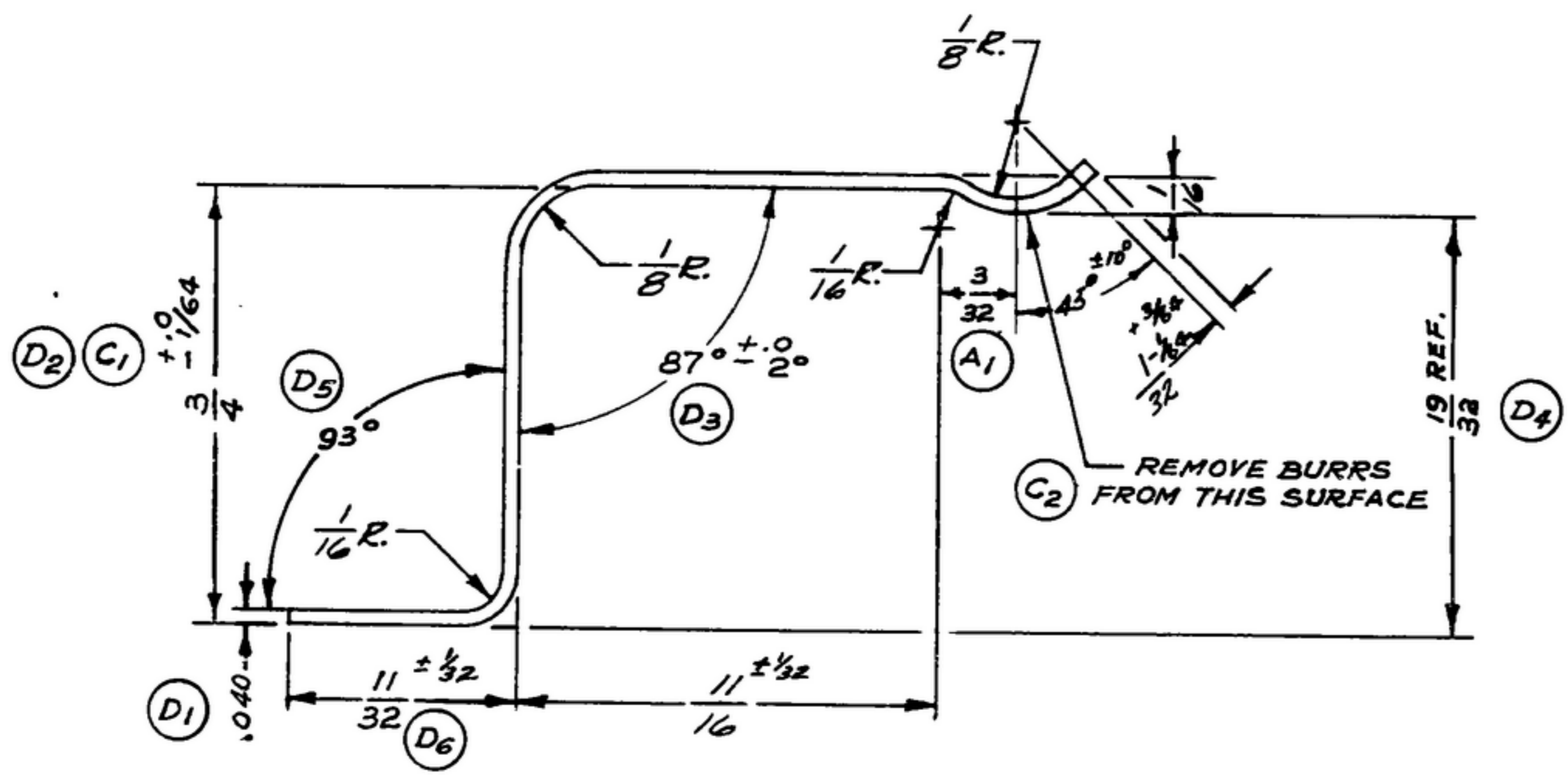
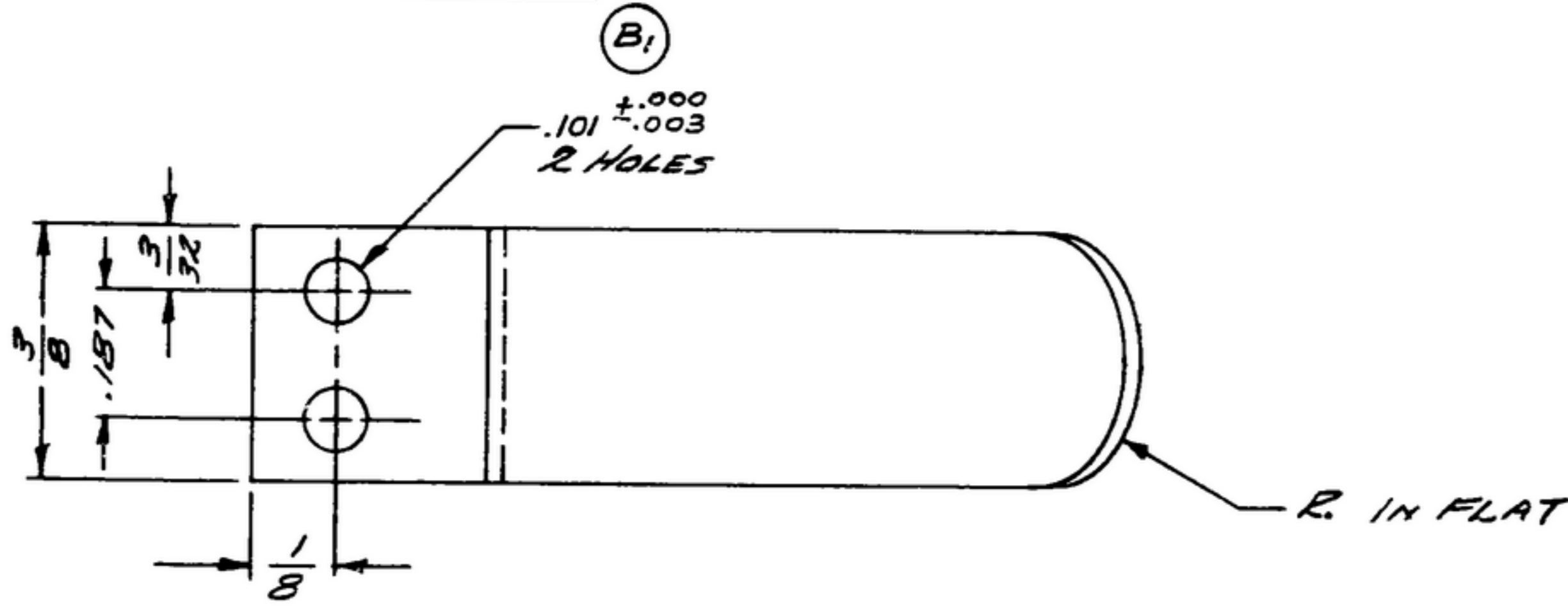
Coll. 541-3255-002

NOTICE: WHEN GOVERNMENT DRAWINGS, SPECIFICATIONS, OR OTHER DATA ARE USED FOR ANY PURPOSE OTHER THAN IN CONNECTION WITH A DEFINITELY RELATED DEFENSE RESEARCH AND DEVELOPMENT OPERATION, THE UNITED STATES GOVERNMENT THEREBY INCURS NO RESPONSIBILITY FOR ANY OMISSION, INADEQUACY, AND THE FACT THAT THE GOVERNMENT HAS FORMULATED, FURNISHED, OR IN ANY WAY SUPPLIED THE SAID DRAWINGS, SPECIFICATIONS, OR OTHER DATA IS NOT TO BE REGARDED AS A WARRANTY OR ENDORSEMENT, OR ASSUMING ANY LIABILITY ON BEHALF OF THE GOVERNMENT FOR ANY INFRINGEMENT OF PATENT RIGHTS OR FOR ANY OTHER TYPE, USE, OR BELL ANY PATENTED INFORMATION THAT MAY IN ANY WAY BE RELATED THERETO.

THIS DOCUMENT HAS BEEN PURCHASED BY THE GOVERNMENT AND MAY BE REPRODUCED AND USED IN CONNECTION WITH ANY GOVERNMENT PROGRAM OF RESEARCH OR DEVELOPMENT OPERATION.

\*FOR INFORMATION ONLY. CONTRACTOR MAY AT HIS OPTION DEVIATE FROM THESE PROCESS DETAILS.

SWE APPROVAL		REVISIONS			
SYM	PR 10042-5	SYM	DESCRIPTION	DATE	APPROVAL
		A <sub>2</sub>	A <sub>1</sub> - ADDED 3/32 DIM. A <sub>2</sub> - WAS A COMMERCIAL TYPE FINISH.	4 NOV 59	42428-PC-59-59-A1-51 REV'D. PME
B <sub>1</sub>	CA 84855	B <sub>1</sub>	(1) - 101 ± .000 WAS .093 DIA.	14 OCT 60	42428-PC-59 REV'D. PME
C	CA 84875	C	(1) - 11 ± .0 / 18 - 1/64 WAS 47 ± 1 / 64 - 32. (2) - ADDED NOTATION	17 OCT 60	42428-PC-59 REV'D PME
D	CA 84988	D	(1) - RELOCATED .040 DIM. (2) - WAS 11/16 DIM. (3) - WAS 85° ± 2° DIA. (4) - ADDED 19/32 REF. DIM. (5) - ADDED 93° DIM. (6) - WAS 3/8 ± 1/32 DIM.	16 DEC 60	42428-PC-59 REV'D. PME
		E	(1) WAS M252 PER SPEC	31 OCT 61	42428-PC-59 REV'D PME



BERYLLIUM COPPER, COND A, PER SPEC QQ-C-533

A<sub>2</sub> FINISH: M352 PER SPEC MIL-F-14272.

E<sub>1</sub>

NOTES:  
1. HEAT TREAT 55-60 ON ROCKWELL 30N SCALE.

COLLINS PART NO.	QTY	REQD	PART NO.	DESCRIPTION	DATE	UNIT QTY
LIST OF MATERIAL						
-COLLINS PART NO. 558-0605-003						

DRAWN <i>R C HILL</i>				CHECKED <i>Ran</i>		APPROVED		-COLLINS RADIO CO. -SIGNAL CORPS-1954-		DEPARTMENT OF THE ARMY SIGNAL CORPS ENGINEERING LABORATORIES	
558-0450-004				SM-D-299138		SC-DL-248775		14214-PH-51-93		FORT MONMOUTH NEW JERSEY	
COLLINS NO.				QTY		NEXT ASSY		USED ON		SM-C-249153	
APPLICATION				UNLESS OTHERWISE SPECIFIED: DECIMAL DIMENSIONS INCLUDING HOLE SIZES MAY VARY ±.008 FRACTIONAL DIMENSIONS INCLUDING HOLE SIZES MAY VARY ±1/64 MACHINED ANGLES MAY VARY ±.1° BROKEN ANGLES MAY VARY ±.25° ECCENTRICITY BETWEEN ANY DIAMETERS ON THE SAME CENTERLINE SHALL NOT EXCEED .010 TOTAL INDICATOR READING. ALL DIMENSIONS ARE FINISH DIMENSIONS INCLUDING APPLIED FINISH AND ARE GIVEN IN INCHES.		SIGNAL CORPS		REVIEWED <i>PME</i>		CLIP-PLUG	
						APPROVED <i>HLV</i> <i>PME</i>		DATE 15 FEB 56		SCALE A/1	

WHEN REFERRING TO THIS DRAWING STATE DRAWING NO., APPLICABLE ISSUE SYMBOL, IF ANY, AND DATE